



2310 E. Orangethorpe Ave, Anaheim, CA 92806

714-738-6194 / 714-446-0119 FAX

www.accrmf.com

### Series 1755-X Extractor Lever Product Specification

**Part Number Code:**

**1755-X**    **PP**    **BA**    **SS**

**Injector / Ejector Series and Card Size**

**X = Card thickness in 32nds**

- 1 = 1/32" Card Thickness (.031" REF)
- 2 = 2/32" Card Thickness (.062" REF)
- 3 = 3/32" Card Thickness (.093" REF)
- 4 = 4/32" Card Thickness (.125" REF)

**Hardware Option:**

- PP = Pre-Started Assembly Pin
- Blank = One Loose Pin (Stainless 3/32" X 1/4") per Lever

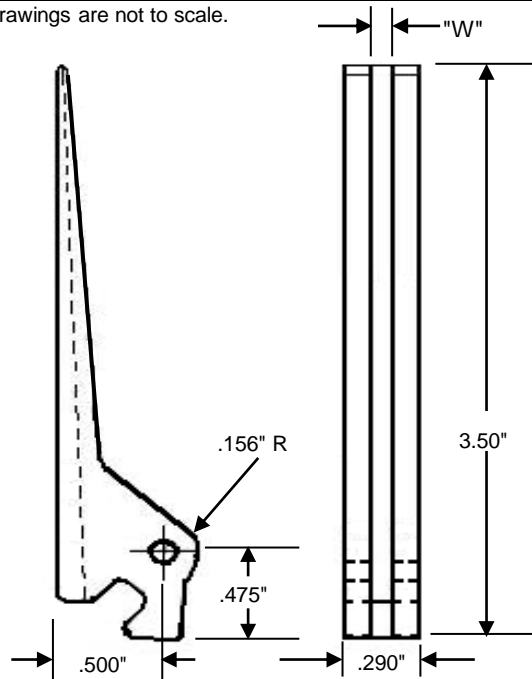
**SilkScreen Option:**

- SS = SilkScreen Required ( per customer request/artwork)
- Leave Blank = None Required

**Finish Option:**

- BA = Black Anodize per Mil-A-8625, Type II, Class 2
- BH = Black Hard Anodize per Mil-A-8625, Type III, Class 2
- CC = Chem-Film Clear per MIL-C-5541, CL 3 (ROHS)
- CG = Chem-Film Gold per MIL-C-5541, CL 1A
- RA = Red Anodize per Mil-A-8625, Type II, Class 2
- Other colors available on request.

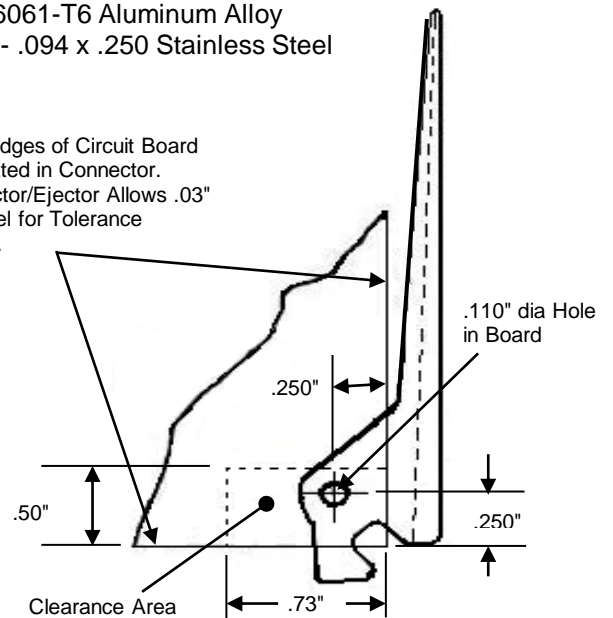
Note: Drawings are not to scale.



**Material:**

- Lever - 6061-T6 Aluminum Alloy
- Roll Pin - .094 x .250 Stainless Steel

Nominal Edges of Circuit Board  
When Seated in Connector.  
Note: Injector/Ejector Allows .03"  
Over Travel for Tolerance  
Allowance.



**BOARD THICKNESS CHART:**

Part #	Board Thickness	"W" Dim
1755-1	1/32 - .031	.048"
1755-2	2/32 - .062	.080"
1755-3	3/32 - .093	.110"
1755-4	4/32 - .125	.140"

\*\*ACCR Products are 100% Made in the USA.

**FEATURES:**

- \*High-Strength Lever Action Design Overcomes Extreme Insertion and Ejection Forces.
- \*Actuates from a Simple "U" Channel Form.
- \*Available with Conductive Finish.
- \*Clearance Chamfer not Required on Circuit Board.
- \*Narrow Profile to Minimize Interference.
- \*Simplifies insertion and extraction of Circuit Boards.

**APPLICATION DATA:**

Two Inserter-Extractors are Recommended per Board. Provides Insertion and Ejection Travel of .35" Minimum with a Mechanical Advantage of Approximately 8 : 1.