



2310 E. Orangethorpe Ave, Anaheim, CA 92806

714-738-6194 / 714-446-0119 FAX

www.accrmfg.com

Series 1105 - Extractor Lever Product Specification

Part Number Code:

1105-X PP V0

Extractor/Inserter Style and Card Size

X = Card thickness in 32nds

2 = 2/32" (1/16") Card Thickness (.062" REF)

3 = 3/32" Card Thickness (.093" REF)

Hardware Option:

Blank = One Loose Pin (Stainless 3/32" X 1/4") per Lever

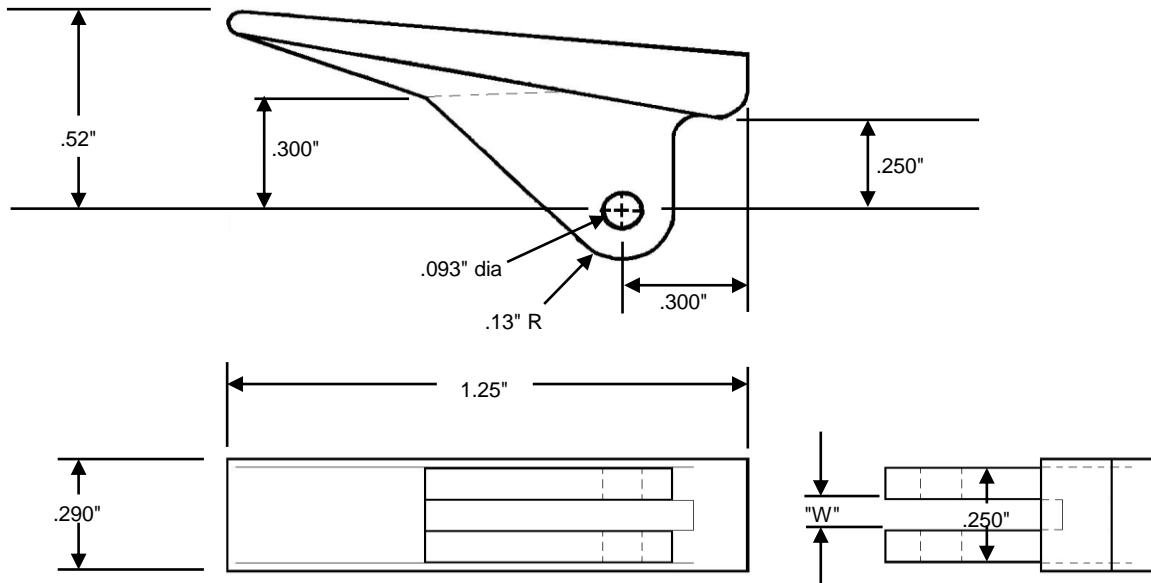
PP = Pre-Started Assembly Pin

Material Option:

Blank = 6/6 Nylon, UL94V-2 flammability rating

Natural white or white is the standard color.

V0 = UL 94V-0



Note: Drawings are not to scale.

BOARD THICKNESS CHART:

Part #	Board Thickness	"W" Dim
1105-2	1/16" - .062	.075"
1105-3	3/32 - .093	.105"

****ACCR Products are 100% Made in the USA.**

FEATURES:

- *Lever action provides a simple and safe method for extraction of circuit cards
- *Handle of lever provides a wider surface for pushing circuit cards during insertion.
- *Narrow profile to minimize Interference.

*100% Made in the USA.

APPLICATION DATA:

Two Extractors are Recommended per Board. Simplifies Insertion and Extraction with a Mechanical Advantage of 3:1 during Extraction.